



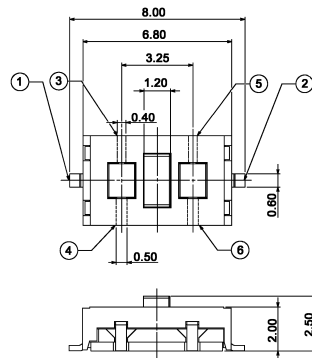
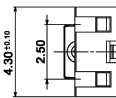
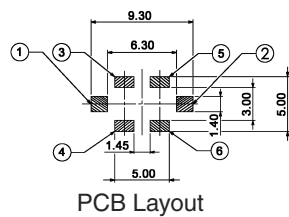
Illuminated Pushbutton Switches for SMT

Specifications:

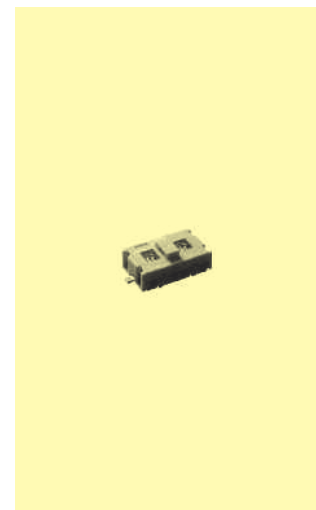
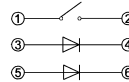
Contact rating:	12 V DC, 50 mA
Contact resistance:	< 100 mΩ
Insulation resistance:	> 100 MΩ
Dielectric strength:	250 V AC (50–60 Hz) for 1 minute
Operating temperature:	–20 °C to +70 °C
Operating force:	1.6 N +0.8/–0.3 N
Mechanical life:	minimum 50 000 operations
Stem/cover:	high-temp. PA 9T UL 94 V–0, white
Terminal:	brass, silver-plated
Contact:	stainless steel, silver-plated
Base:	high-temp. PA 9T UL 94 V–0, molded black
Mounting:	on pc-board – SMT

Models:

TSSL 3W □ □



Circuit diagram



Ordering Code:

TSSL 3W □ □

Left LED:

- Ⓡ red
- Ⓞ green
- Ⓞ soft orange
- Ⓞ white
- Ⓞ blue

Right LED:

- Ⓡ red
- Ⓞ green
- Ⓞ soft orange
- Ⓞ white
- Ⓞ blue

Soldering conditions (reflow-soldering)

